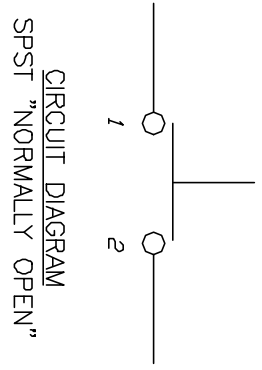
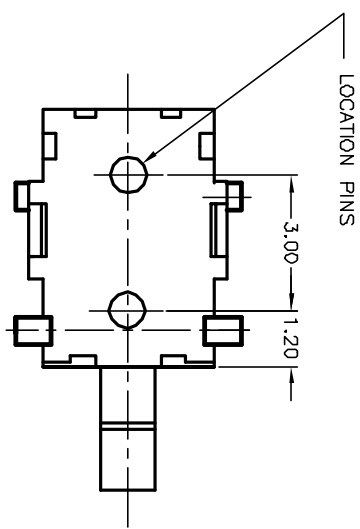
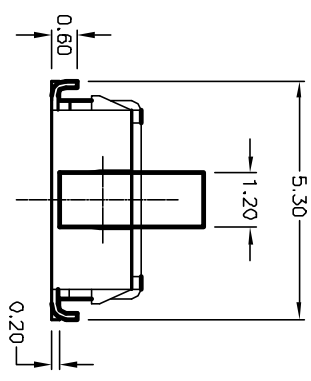
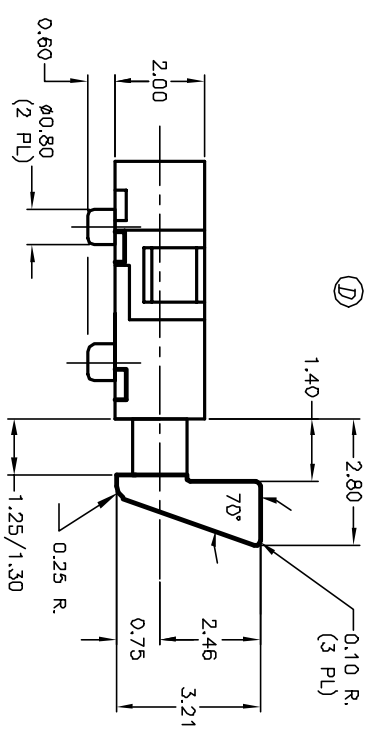
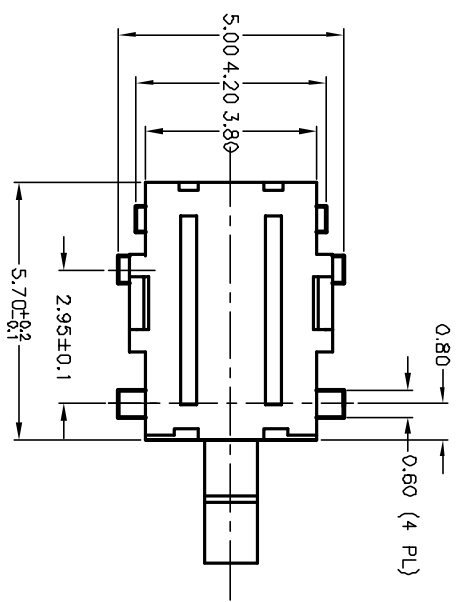


RECOMMENDED PAD LAYOUT  
SCALE 8:1



NOTES:

1. ALL DIMENSIONS IN MM
2. GENERAL TOLERANCE: X.X=±0.4; X.XX=±0.25
3. RATINGS: 12V DC 1.0mA
4. CONTACT RESISTANCE: 80M  $\Omega$  Max.



D	12884	ADD TOLERANCE	1/23/03	CB
C	12751	REVISED, P.C.B. NEW DESIGN	1/23/03	CB
B	11585	REVISED	7/27/01	CB
REV.	ECN No.	DESCRIPTION	DATE	CHK'D

TITLE		SCALE	DATE	DR	DWG	REV
900-BGQ-LU		6:1	03/09/01	RJC	P010904	D
<b>E-SWITCH®</b>						

THE INFORMATION CONTAINED IN THIS DOCUMENT IS PROPRIETARY TO E-SWITCH AND IS NOT TO BE COPIED OR TRANSMITTED